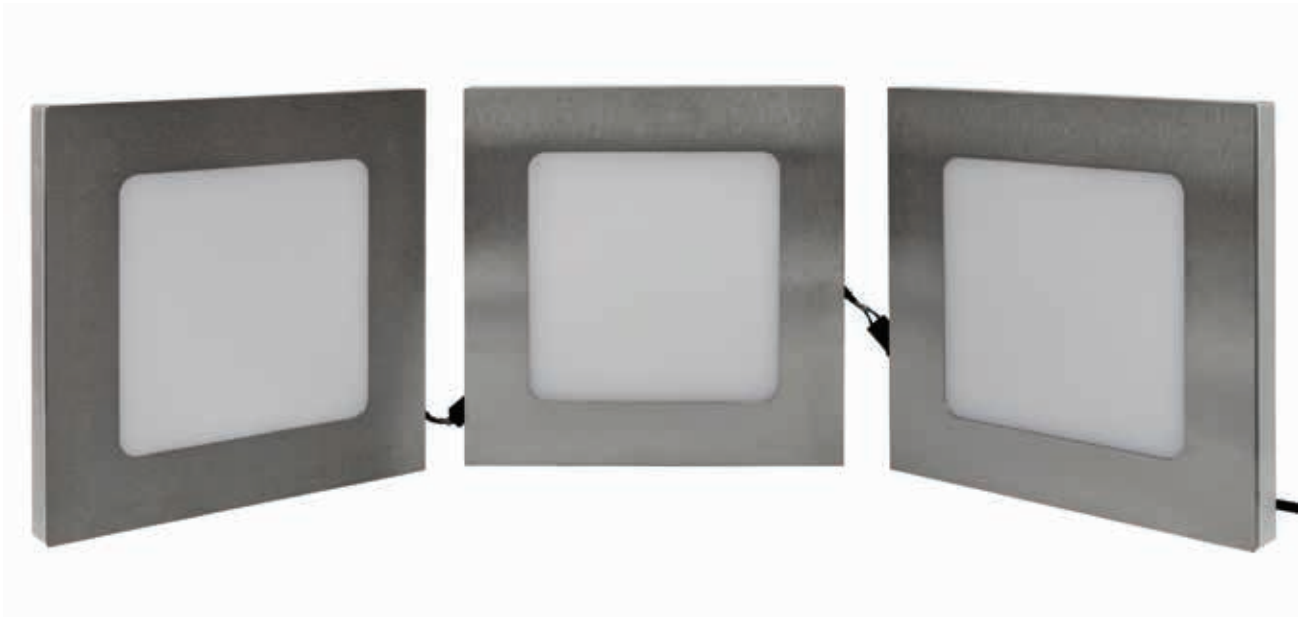


# Livinglite Wireless



**Marshalls**

*Creating Better Spaces*

**Our classic Livinglite patio LED lighting system has had a serious makeover. Outdoor LEDs in association with Marshalls Paving and Landscaping are very proud to present the Livinglite Wireless; a revolutionary new patio LED lighting system which combines exceptional new technology with the most useful traits of the original Livinglite system offering a user experience like never before.**

The Livinglite Wireless system includes the new colour wheel – a circular spectrum of colour on your remote control. Simply glide your finger around the colour wheel to reveal over a million colour variations; warm orange to match those tequila sunrise cocktails in summer, or ice blue to turn down the heat. Find your perfect shade for any season, event or occasion. What's more - Got an iPad or Smartphone? Controlling your system is now easier than ever; simply download the MiLight app to turn your device into an additional remote control.

We promised brightness, and we delivered - the Livinglite Wireless has an improved brightness of a staggering 228%. That's 39.94 lux brighter at a total of 57.4 lux, than the original Livinglite at 17.46 lux. But that's not the only improvement. We've also manufactured the Livinglite Wireless to have the ability to run up to x8 LED light units from a single PSU (previously x6) and up to a massive x14 LED light units once a booster unit is added (previously x8). This eliminates the need to install more than one system if a large number of LED light units are required.

The Livinglite Wireless uses exactly the same easy to install plug-and-play system as the original Livinglite, so there is still no need for an electrician unless desired.

**Need more information about the Livinglite Wireless?**

Feel free to get in touch with the Outdoor LEDs Team via email, [outdoorleds@marl.co.uk](mailto:outdoorleds@marl.co.uk), our website, [www.outdoorleds.co.uk](http://www.outdoorleds.co.uk) or call +44 (0) 1229 484 633.

**Outdoor**LEDs

the brighter choice

# Livinglite Wireless



## Technical Information

### STARTER KIT

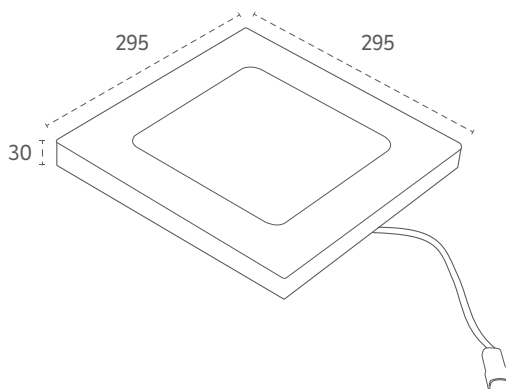
Part Number	705-410-22-65
Starter Kit Standard Parts	2x In-Line Units, 1x End Unit, 2x 2m Cables, 1x 4m Cable, 1x Power Supply Unit, 1x Colour Changing Unit, 1x Colour Changing Unit Remote Control
Light Output	2.6 – 28.5 lux
Voltage Input	90-250Vac
System Voltage	24Vdc
Beam Angle	120°
IP Rating	IP67
Operating Temperature	-20°C – 40°C
Housing	Polycarbonate Resin. Cast Acrylic. Stainless Steel
Dimensions LxWxD (mm)	(3x) 295x295x30
Weight (kg)	(3x) 2.2
Life Expectancy	Up to 10 years when used for 12 hours per day
Colour	RGB
Cleaning (Chemical Attack/Pressure Washing)	The unit is not designed to be pressure washed. The unit should be cleaned by first removing any excess contamination with a soft, non-abrasive cloth, followed by cleaning with warm water and a mild detergent, again using a soft, non-abrasive cloth to wipe the surface.
Warranty	1 year

## Accessories

The following Accessories can be added to enhance your Starter Kit. The Livinglite Starter Kit can power up to 8x LED Light Units from a single Power Supply Unit, and up to 14x when a Booster Unit is added. Accessories are optional at the customers discretion.

Product	Part Number
In-Line Unit	705-410-22-60-1
End Unit	705-410-22-61-1
2 Metre Connecting Cable	705-000-00-50-1
4 Metre Connecting Cable	705-000-00-51
Colour Changing Unit & Remote Control	705-000-22-51-1
Power Supply Unit	705-000-22-50-1
Starter Kit	705-410-22-65

## Dimensions



In partnership with  
  
**Marshall's**  
 Creating Better Spaces

Marl International Ltd Marl Business Park, Ulverston, Cumbria, LA12 9BN, UK  
 T +44 (0) 1229 484 633 | F +44 (0) 1229 585 155 | E [outdoorleds@marl.co.uk](mailto:outdoorleds@marl.co.uk) [Twitter](#) outdoorleds [Facebook](#) outdoorleds  
 Outdoor LEDs is a division of Marl International Limited, the renowned manufacturers of high quality LED lighting components and systems.

